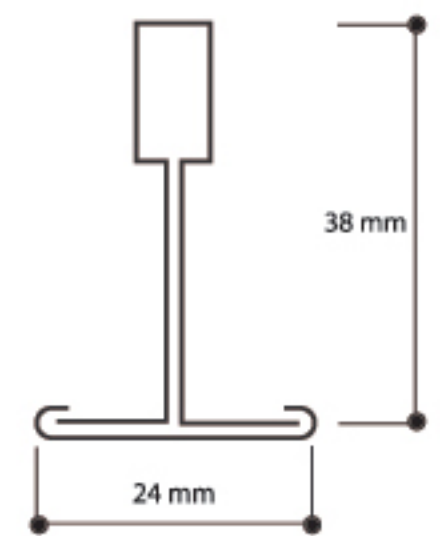
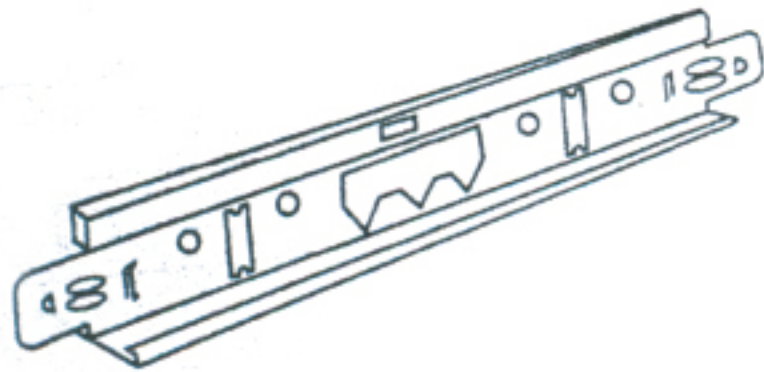


T-24 (Metric/Imperial) System Component

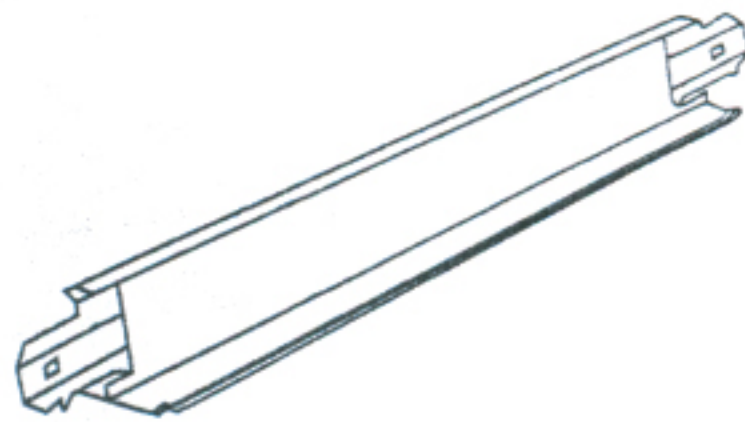
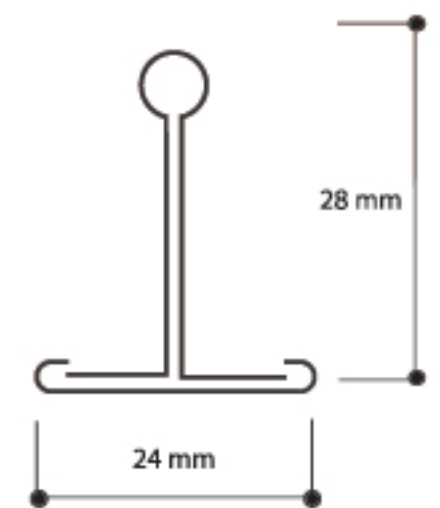
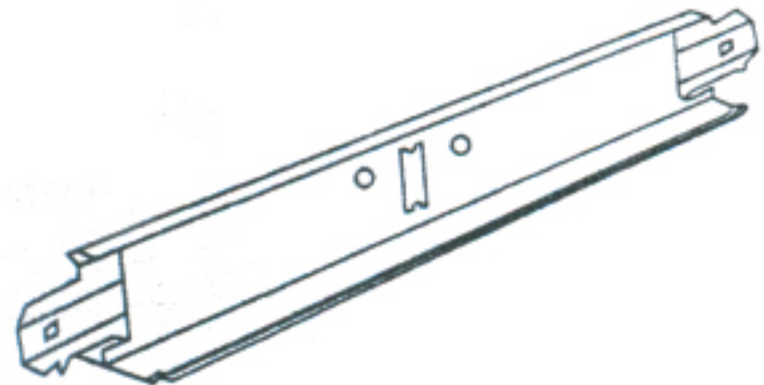
MAIN TEE

Ref	H(mm)	W(mm)	Standard Thickness upto	Standard Length	Material	Pcs/Box
M24MT	38	24	0.35	3600	Galvanized	25
I 24MT	38	24	0.35	12'	Galvanized	25



CROSS TEE WITH JOGGLED ENDS

Ref	H(mm)	W(mm)	Standard Thickness upto	Standard Length	Material	Pcs/Box
M24CT (1.20)	28	24	0.35	1200	Galvanized	75
I 24CT (4')	28	24	0.35	4'	Galvanized	75
M24CT(0.60)	28	24	0.35	600	Galvanized	75
I 24CT (2')	28	24	0.35	2'	Galvanized	75



Positions of Slots and Hanger Holes

