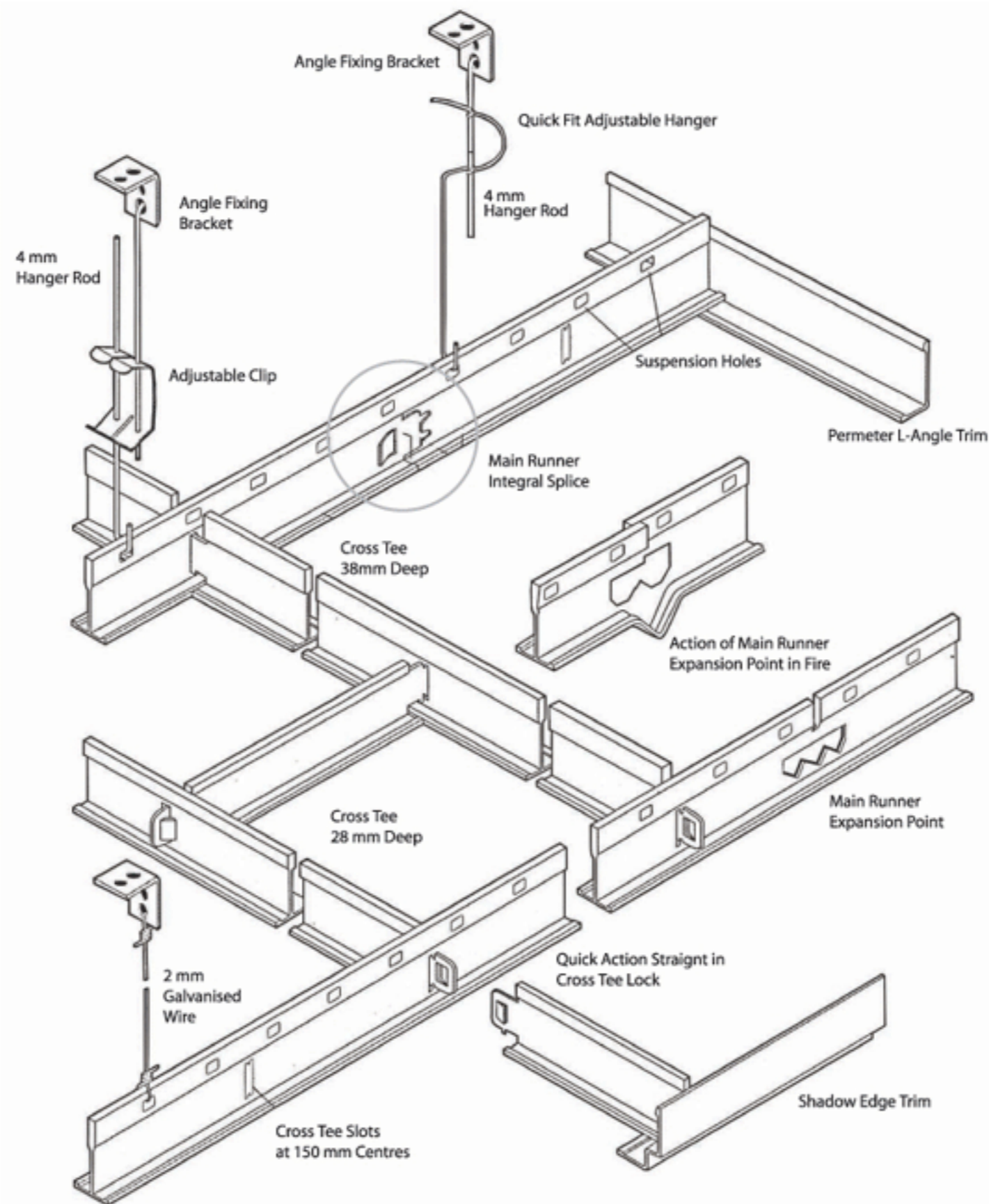


Construction of Exposed T-Grid System



Al Waseef ceiling suspension grids comprises of main runners installed at not more than 1200 mm centers, securely fixed by pre-straight suspension wire. The wire should not be more than 150 mm from the main runner splices, or expansion joints, and the maximum distance from the wire to the perimeter of the ceiling should not exceed 450 mm and otherwise at 1200 mm centres. Also, The main runners splices are to be staggered not less than 450mm from the perimeter spanning between main tees are 1200mm cross tees at 600 mm centers.