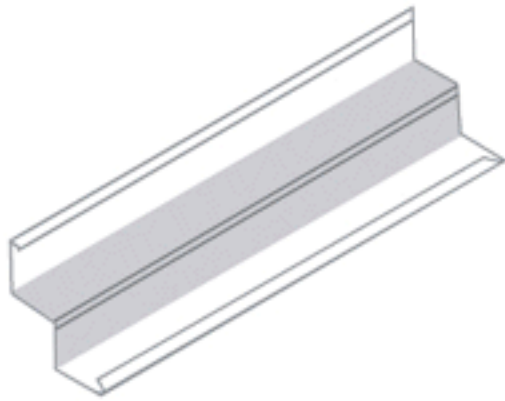


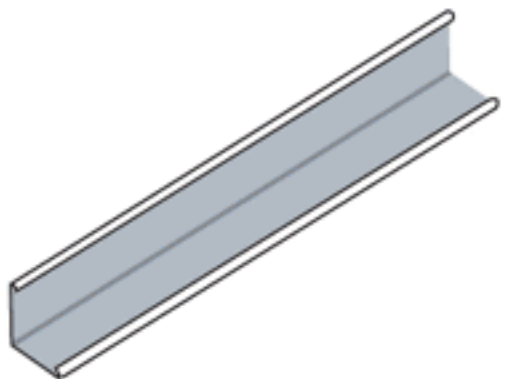
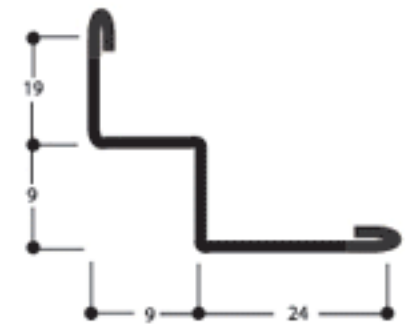
Perimeter Trims or Edge Trims

Options for T-Grids



W-SHADOW ANGLE

Ref	H(mm)	W(mm)	Standard Thickness Upto	Standard Length	Material	Pcs/Box
WSA24X19(M)	24	19	0.45	3000	Galvanized PP	40
WSA24X19 (l)	24	19	0.45	12'	Galvanized PP	40



L-ANGLE

Ref	H(mm)	W(mm)	Standard Thickness Upto	Standard Length	Material	Pcs/Box
LA24X19(M)	24	19	0.45	3000	Galvanized PP	40
LA24X19 (l)	24	19	0.45	12	Galvanized PP	40

